

E1 **Governing characteristics of generator**
(1975) **prime movers**

see revised
M 3.2



E2 Deleted (December 1996)



E3 Deleted (December 1996)



E5 Voltage and frequency variations

(1979)
(Rev.1
Sept.
2005)

1. All electrical appliances supplied from the main or emergency systems are to be so designed and manufactured that they are capable of operating satisfactorily under the normally occurring variations in voltage and frequency.

2. Unless otherwise stated in the national or international standards, all equipment should operate satisfactorily with the variations from its rated value shown in the Tables 1 to 3 on the following conditions.

- (a) For alternative current components, voltage and frequency variations shown in the Table 1 are to be assumed.
- (b) For direct current components supplied by d.c. generators or converted by rectifiers, voltage variations shown in the Table 2 are to be assumed.
- (c) For direct current components supplied by electrical batteries, voltage variations shown in the Table 3 are to be assumed.

3. Any special system, e.g. electronic circuits, whose function cannot operate satisfactorily within the limits shown in the Table should not be supplied directly from the system but by alternative means, e.g. through stabilized supply.

Table 1: Voltage and frequency variations for a.c. distribution systems

Quantity in Operation	Variations	
	Permanent	Transient
Frequency	±5%	±10% (5 sec)
Voltage	+6%, -10%	±20% (1.5 sec)

Table 2: Voltage variations for d.c distribution systems

Parameters	Variations
Voltage tolerance (continuous)	±10%
Voltage cyclic variation deviation	5%
Voltage ripple (a.c. r.m.s. over steady d.c. voltage)	10%

Table 3: Voltage variations for battery systems

Systems	Variations
Components connected to the battery during charging (see Note)	+30%, -25%
Components not connected to the battery during charging	+20%, -25%
Note: Different voltage variations as determined by the charging/discharging characteristics, including ripple voltage from the charging device, may be considered.	

END

E7 Cables

(1975)
(Rev.1
1990)
(Rev.2
June
2000)
(Rev.3
May
2006)
(Rev.4
Apr
2016)

1. Cables are to be of a type approved by the Classification Society.
2. Cables manufactured in accordance with the relevant recommendations of IEC Publication 60092-350, 60092-352, 60092-353, 60092-354, 60092-360, 60092-370 and 60092-376 will be accepted by the Classification Society provided that they are tested to its satisfaction.
3. Cables manufactured and tested to standards other than those specified in 2 will be accepted provided they are in accordance with an acceptable and relevant international or national standard and are of an equivalent or higher safety level than those listed in paragraph 2. However, cables such as flexible cable, fibre-optic cable, etc. used for special purposes may be accepted provided they are manufactured and tested in accordance with the relevant standards accepted by the Classification Society.

Note:

1. Rev.4 of this UR is to be uniformly implemented by IACS Societies from 1 July 2017.

End of Document

E9

(1988)
Rev.1
Oct
2012)

Earthing and bonding of cargo tanks/ process plant/piping systems for the control of static electricity

E9.1 The hazard of an incentive discharge due to the build-up of static electricity resulting from the flow of liquids/gases/vapours can be avoided if the resistance between the cargo tanks/process plant/piping systems and the hull of the ship is not greater than 10^6 ohm.

E9.2 This value of resistance will be readily achieved without the use of bonding straps where cargo tanks/process plant/piping systems are directly or via their supports, either welded or bolted to the hull of the ship.

E9.3 Bonding straps are required for cargo tanks/process plant/piping systems which are not permanently connected to the hull of the ship, e.g.

- a) independent cargo tanks;
- b) cargo tanks/piping systems which are electrically separated from the hull of the ship;
- c) pipe connections arranged for the removal of spool pieces.
- d) wafer-style valves with non-conductive (e.g PTFE) gaskets or seals.

E9.4 Where bonding straps are required, they should be:

- a) clearly visible so that any shortcomings can be clearly detected;
- b) designed and sited so that they are protected against mechanical damage and that they are not affected by high resistivity contamination e.g. corrosive products or paint;
- c) easy to install and replace.

E9.5 Checks should be made on the resistance to the hull of the ship during construction of the ship and at subsequent major surveys, supplemented by visual inspection during annual surveys.

Note:

1. Revision 1 of this UR is to be implemented for ships contracted for construction on or after 1 January 2014.
2. The "contracted for construction" date means the date on which the contract to build the vessel is signed between the prospective owner and the shipbuilder. For further details regarding the date of "contract for construction", refer to IACS Procedural Requirement (PR) No. 29.

End of Document

E10 Test Specification for Type Approval

(1991)
(Rev.1
1993)
(Rev.2
1997)
(Rev. 2.1
July 1999)
(Rev.3
May 2001)
(Corr.1
July 2003)
(Rev.4
May 2004)
(Rev.5
Dec 2006)
(Rev.6
Oct 2014)
(Rev.7
Oct 2018)

E10.1 General

This Test Specification is applicable, but not confined, to electrical, electronic and programmable equipment intended for control, monitoring, alarm and protection systems for use in ships.

E10.2 Testing

These tests are to demonstrate the ability of the equipment to function as intended under the specified testing conditions.

The extent of the testing (i.e. the selection and sequence of carrying out tests and number of pieces to be tested) is to be determined upon examination and evaluation of the equipment or component subject to testing giving due regard to its intended usage.

Equipment is to be tested in its normal position if otherwise not specified in the test specification.

Note:

1. Rev.5 of this UR is to be uniformly implemented by IACS Societies from 1 January 2008.
2. Rev.6 of this UR is to be uniformly implemented by IACS Societies from 1 January 2016.
3. Rev.7 of this UR is to be uniformly implemented by IACS Societies for equipment for which the date of application for type approval certification is dated on or after 1 January 2020.
4. Equipment intended to be installed on ships contracted for construction on or after 1 January 2022 is to comply with Rev.7 of this UR.
5. The “contracted for construction” date means the date on which the contract to build the vessel is signed between the prospective owner and the shipbuilder. For further details regarding the date of “contract for construction”, refer to IACS Procedural Requirement (PR) No. 29.
6. The “date of application for type approval” is the date of documents accepted by the Classification Society as request for type approval certification of a new equipment type or of an equipment type that has undergone substantive modifications in respect of the one previously type approved, or for renewal of an expired type approval certificate.

E10

(cont)

Relevant tests are as listed in the Table.

Note:

- a) * These test requirements are harmonised with IEC 60092-504 “Electrical Installations in Ships - Part 504: Special features - Control and Instrumentation” and IEC 60533 “Electrical and electronic installations in ships – electromagnetic compatibility”. Electrical and electronic equipment on board ships, required neither by classification rules nor by International Conventions, liable to cause electromagnetic disturbance shall be of type which fulfil the test requirements of test specification items 19 and 20.
- b) As used in this document, and in contrast to a complete performance test, a functional test is a simplified test sufficient to verify that the equipment under test (EUT) has not suffered any deterioration caused by the individual environmental tests.

Type testing condition for equipment covered by E10.1

NO.	TEST	PROCEDURE ACC. TO:*	TEST PARAMETERS	OTHER INFORMATION
* indicates the testing procedure which is normally to be applied. However, equivalent testing procedure may be accepted by the individual Society provided that the Unified Requirements stated in the other columns are fulfilled. The latest edition of the normative reference applies.				
1.	Visual inspection	-	-	- conformance to drawings, design data
2.	Performance test	Manufacturer performance test programme based upon specification and relevant Rule requirements. When the EUT is required to comply with an international performance standard, e.g. protection relays, verification of requirements in the standard are to be part of the performance testing required in this initial test and subsequent performance tests after environmental testing where required in the UR.	- standard atmosphere conditions - temperature: 25°C ± 10°C - relative humidity: 60% ± 30% - air pressure: 96 KPa ± 10KPa	- confirmation that operation is in accordance with the requirements specified for particular system or equipment; - checking of self-monitoring features; - checking of specified protection against an access to the memory; - checking against effect of unerroneous use of control elements in the case of computer systems.

NO.	TEST	PROCEDURE ACC. TO:*	TEST PARAMETERS	OTHER INFORMATION
5.	Dry heat (see note 1)	IEC 60068-2-2 Test Bb for non-heat dissipating equipment	Temperature: 55° ± 2°C Duration: 16 hours or Temperature: 70°C ± 2°C Duration: 16 hours	<ul style="list-style-type: none"> - equipment operating during conditioning and testing; - functional test (b) during the last hour at the test temperature. - for equipment specified for increased temperature the dry heat test is to be conducted at the agreed test temperature and duration.
		IEC 60068-2-2 Test Be for heat dissipating equipment	Temperature: 55° ± 2°C Duration: 16 hours or Temperature: 70°C ± 2°C Duration: 16 hours	<ul style="list-style-type: none"> - equipment operating during conditioning and testing with cooling system on if provided; - functional test (b) during the last hour at the test temperature. - for equipment specified for increased temperature the dry heat test is to be conducted at the agreed test temperature and duration.
6.	Damp heat	IEC 60068-2-30 test D _b	Temperature: 55°C Humidity: 95% Duration: 2 cycles 2 x (12 +12 hours)	<ul style="list-style-type: none"> - measurement of insulation resistance before test; - the test shall start with 25°C ± 3°C and at least 95% humidity; - equipment operating during the complete first cycle and switched off during second cycle except for functional test; - functional test during the first 2 hours of the first cycle at the test temperature and during the last 2 hours of the second cycle at the test temperature; Duration of the second cycle can be extended due to more convenient handling of the functional test. - recovery at standard atmosphere conditions; - insulation resistance measurements and performance test.
7.	Vibration	IEC 60068-2-6 Test F _c	<p>2⁺³ Hz to 13.2 Hz – amplitude ±1mm₋₀</p> <p>13.2 Hz to 100 Hz – acceleration ± 0.7 g. For severe vibration conditions such as, e.g. on diesel engines, air compressors, etc.:</p> <p>2.0 Hz to 25 Hz – amplitude ±1.6 mm 25.0 Hz to 100 Hz – acceleration ± 4.0 g.</p>	<ul style="list-style-type: none"> - duration in case of no resonance condition 90 minutes at 30 Hz; - duration at each resonance frequency at which Q ≥ 2 is recorded - 90 minutes; - during the vibration test, functional tests are to be carried out; - tests to be carried out in three mutually perpendicular planes; - it is recommended as guidance that Q does not exceed 5.

E10
(cont)

NO.	TEST	PROCEDURE ACC. TO:*	TEST PARAMETERS	OTHER INFORMATION
			<p>Note: More severe conditions may exist for example on exhaust manifolds or fuel oil injection systems of diesel engines. For equipment specified for increased vibration levels the vibration test is to be conducted at the agreed vibration level, frequency range and duration. Values may be required to be in these cases 40 Hz to 2000 Hz - acceleration $\pm 10.0g$ at 600°C, duration 90 min.*</p>	<p>- where sweep test is to be carried out instead of the discrete frequency test and a number of resonant frequencies is detected close to each other, duration of the test is to be 120 min. Sweep over a restricted frequency range between 0.8 and 1.2 times the critical frequencies can be used where appropriate. Note: Critical frequency is a frequency at which the equipment being tested may exhibit:</p> <ul style="list-style-type: none"> - malfunction and/or performance deterioration - mechanical resonances and/or other response effects occur, e.g. chatter
8.	Inclination	IEC 60092-504	<p>Static 22.5°</p> <p>Dynamic 22.5°</p>	<p>a) inclined to the vertical at an angle of at least 22.5° b) inclined to at least 22.5° on the other side of the vertical and in the same plane as in (a), c) inclined to the vertical at an angle of at least 22.5° in plane at right angles to that used in (a), d) inclined to at least 22.5° on the other side of the vertical and in the same plane as in (c). Note: The period of testing in each position should be sufficient to fully evaluate the behaviour of the equipment.</p> <p>Using the directions defined in a) to d) above, the equipment is to be rolled to an angle of 22.5° each side of the vertical with a period of 10 seconds. The test in each direction is to be carried out for not less than 15 minutes. On ships for the carriage of liquified gases and chemicals, the emergency power supply is to remain operational with the ship flooded up to a maximum final athwart ship inclination of 30°.</p> <p>Note: These inclination tests are normally not required for equipment with no moving parts.</p>

E10
(cont)

NO.	TEST	PROCEDURE ACC. TO:*	TEST PARAMETERS		OTHER INFORMATION													
9.	Insulation resistance		Rated supply voltage U_n (V)	Test voltage (D.C. voltage) (V)	<table border="1"> <thead> <tr> <th colspan="2" data-bbox="1039 217 1480 245">Min. insulation resistance</th> </tr> <tr> <th data-bbox="1039 245 1258 300">before test M ohms</th> <th data-bbox="1258 245 1480 300">after test M ohms</th> </tr> </thead> <tbody> <tr> <td data-bbox="600 300 819 354">$U_n \leq 65$</td> <td data-bbox="819 300 1039 354">2 x U_n min. 24V</td> <td data-bbox="1039 300 1258 354">10</td> <td data-bbox="1258 300 1480 354">1,0</td> </tr> <tr> <td data-bbox="600 354 819 389">$U_n > 65$</td> <td data-bbox="819 354 1039 389">500</td> <td data-bbox="1039 354 1258 389">100</td> <td data-bbox="1258 354 1480 389">10</td> </tr> </tbody> </table>	Min. insulation resistance		before test M ohms	after test M ohms	$U_n \leq 65$	2 x U_n min. 24V	10	1,0	$U_n > 65$	500	100	10	<ul style="list-style-type: none"> - For high voltage equipment, reference is made to UR E11. - insulation resistance test is to be carried out before and after: damp heat test, cold test, salt mist test and high voltage test; - between all phases and earth; and where appropriate, between the phases. <p>Note: Certain components e.g. for EMC protection may be required to be disconnected for this test.</p>
Min. insulation resistance																		
before test M ohms	after test M ohms																	
$U_n \leq 65$	2 x U_n min. 24V	10	1,0															
$U_n > 65$	500	100	10															
10.	High voltage		<table border="1"> <thead> <tr> <th data-bbox="600 520 1039 603">Rated voltage U_n (V)</th> <th data-bbox="1039 520 1480 603">Test voltage (A.C. voltage 50 or 60Hz) (V)</th> </tr> </thead> <tbody> <tr> <td data-bbox="600 603 1039 638">Up to 65</td> <td data-bbox="1039 603 1480 638">2 x U_n + 500</td> </tr> <tr> <td data-bbox="600 638 1039 673">66 to 250</td> <td data-bbox="1039 638 1480 673">1500</td> </tr> <tr> <td data-bbox="600 673 1039 708">251 to 500</td> <td data-bbox="1039 673 1480 708">2000</td> </tr> <tr> <td data-bbox="600 708 1039 724">501 to 690</td> <td data-bbox="1039 708 1480 724">2500</td> </tr> </tbody> </table>		Rated voltage U_n (V)	Test voltage (A.C. voltage 50 or 60Hz) (V)	Up to 65	2 x U_n + 500	66 to 250	1500	251 to 500	2000	501 to 690	2500	<ul style="list-style-type: none"> - For high voltage equipment, reference is made to UR E11. - separate circuits are to be tested against each other and all circuits connected with each other tested against earth; - printed circuits with electronic components may be removed during the test; - period of application of the test voltage: 1 minute 			
Rated voltage U_n (V)	Test voltage (A.C. voltage 50 or 60Hz) (V)																	
Up to 65	2 x U_n + 500																	
66 to 250	1500																	
251 to 500	2000																	
501 to 690	2500																	
11.	Cold	IEC 60068-2-1	Temperature: +5°C ± 3°C Duration: 2 hours or Temperature: -25°C ± 3°C Duration: 2 hours (see note 2)		<ul style="list-style-type: none"> - initial measurement of insulation resistance; - equipment not operating during conditioning and testing except for functional test; - functional test during the last hour at the test temperature; - insulation resistance measurement and the functional test after recovery 													
12.	Salt mist	IEC 60068-2-52 Test Kb	Four spraying periods with a storage of 7 days after each.		<ul style="list-style-type: none"> - initial measurement of insulation resistance and initial functional test; - equipment not operating during conditioning; - functional test on the 7th day of each storage period; - insulation resistance measurement and performance test 4 to 6h after recovery. (see Note 3) - on completion of exposure, the equipment shall be examined to verify that deterioration or corrosion (if any) is superficial in nature. 													

NO.	TEST	PROCEDURE ACC. TO:*	TEST PARAMETERS	OTHER INFORMATION
13.	Electrostatic discharge	IEC 61000-4-2	Contact discharge: 6kV Air discharge: 2kV, 4kV, 8kV Interval between single discharges: 1 sec. No. of pulses: 10 per polarity According to test level 3.	<ul style="list-style-type: none"> - to simulate electrostatic discharge as may occur when persons touch the appliance; - the test is to be confined to the points and surfaces that can normally be reached by the operator; - Performance Criterion B (See Note 4).
14.	Electromagnetic field	IEC 61000-4-3	Frequency range: 80 MHz to 6 GHz Modulation**: 80% AM at 1000Hz Field strength: 10V/m Frequency sweep rate: $\leq 1.5 \times 10^{-3}$ decades/s (or 1%/3 sec) According to test level 3.	<ul style="list-style-type: none"> - to simulate electromagnetic fields radiated by different transmitters; - the test is to be confined to the appliances exposed to direct radiation by transmitters at their place of installation. - Performance criterion A (See Note 5) **If for tests of equipment an input signal with a modulation frequency of 1000 Hz is necessary a modulation frequency of 400 Hz may be chosen. - If an equipment is intended to receive radio signals for the purpose of radio communication (e.g. wifi router, remote radio controller), then the immunity limits at its communication frequency do not apply, subject to the provisions in UR E22.5.2.
15.	Conducted low Frequency		<p>AC: Frequency range: rated frequency to 200th harmonic; Test voltage (rms): 10% of supply to 15th harmonic reducing to 1% at 100th harmonic and maintain this level to the 200th harmonic, min 3 V r.m.s, max 2 W.</p> <p>DC: Frequency range: 50 Hz - 10 kHz; Test voltage (rms): 10% of supply max. 2 W</p>	<ul style="list-style-type: none"> - to stimulate distortions in the power supply system generated for instance, by electronic consumers and coupled in as harmonics; - performance criterion A (see Note 5). - See figure - "Test set-up" - for keeping max. 2W, the voltage of the test signal may be lower.

E10
(cont)

NO.	TEST	PROCEDURE ACC. TO:*	TEST PARAMETERS	OTHER INFORMATION
16.	Conducted Radio Frequency	IEC 61000-4-6	AC, DC, I/O ports and signal/control lines: Frequency range: 150 kHz - 80 MHz Amplitude: 3 V rms (See Note 6) Modulation ***: 80% AM at 1000 Hz Frequency sweep range: $\leq 1.5 \times 10^{-3}$ decades/s (or 1%/3sec.) According to test level 2.	- Equipment design and the choice of materials is to stimulate electromagnetic fields coupled as high frequency into the test specimen via the connecting lines. - performance criterion A (see Note 5). *** If for tests of equipment an input signal with a modulation frequency of 1000 Hz is necessary a modulation frequency of 400 Hz may be chosen.
17.	Electrical Fast Transients / Burst	IEC 61000-4-4	Single pulse rise time: 5 ns (between 10% and 90% value) Single pulse width: 50 ns (50% value) Amplitude (peak): 2kV line on power supply port/earth; 1kV on I/O data control and communication ports (coupling clamp) Pulse period: 300 ms; Burst duration: 15 ms; Duration/polarity: 5 min According to test level 3.	- arcs generated when actuating electrical contacts; - interface effect occurring on the power supply, as well as at the external wiring of the test specimen; - performance criterion B (see Note 4).
18.	Surge	IEC 61000-4-5	Test applicable to AC and DC power ports Open-circuit voltage: Pulse rise time: 1.2 μ s (front time) Pulse width: 50 μ s (time to half value) Amplitude (peak): 1kV line/earth; 0.5kV line/line Short-circuit current: Pulse rise time: 8 μ s (front time) Pulse width: 20 μ s (time to half value) Repetition rate: ≥ 1 pulse/min No of pulses: 5 per polarity Application: continuous According to test level 2.	- interference generated for instance, by switching "ON" or "OFF" high power inductive consumers; - test procedure in accordance with figure 10 of the standard for equipment where power and signal lines are identical; - performance criterion B (see Note 4).

NO.	TEST	PROCEDURE ACC. TO:*	TEST PARAMETERS	OTHER INFORMATION																												
19.	Radiated Emission	CISPR 16-2-3 IEC 60945 for 156-165 MHz	<p>Limits below 1000 MHz</p> <p>For equipment installed in the bridge and deck zone.</p> <table border="1" data-bbox="1032 328 1480 499"> <thead> <tr> <th>Frequency range:</th> <th>Quasi peak limits:</th> </tr> </thead> <tbody> <tr> <td>0.15 - 0.3 MHz</td> <td>80 - 52 dBμV/m</td> </tr> <tr> <td>0.3 - 30 MHz</td> <td>52 - 34 dBμV/m</td> </tr> <tr> <td>30 - 1000 MHz</td> <td>54 dBμV/m</td> </tr> <tr> <td>except for:</td> <td></td> </tr> <tr> <td>156 - 165 MHz</td> <td>24 dBμV/m</td> </tr> </tbody> </table> <p>For equipment installed in the general power distribution zone.</p> <table border="1" data-bbox="1032 611 1480 782"> <thead> <tr> <th>Frequency range:</th> <th>Quasi peak limits:</th> </tr> </thead> <tbody> <tr> <td>0.15 - 30 MHz</td> <td>80 - 50 dBμV/m</td> </tr> <tr> <td>30 - 100 MHz</td> <td>60 - 54 dBμV/m</td> </tr> <tr> <td>100 - 1000 MHz</td> <td>54 dBμV/m</td> </tr> <tr> <td>except for:</td> <td></td> </tr> <tr> <td>156 - 165 MHz</td> <td>24 dBμV/m</td> </tr> </tbody> </table> <p>Limits above 1000 MHz</p> <table border="1" data-bbox="1032 863 1480 922"> <thead> <tr> <th>Frequency range:</th> <th>Average limit:</th> </tr> </thead> <tbody> <tr> <td>1000 - 6000 MHz</td> <td>54 dBμV/m</td> </tr> </tbody> </table>	Frequency range:	Quasi peak limits:	0.15 - 0.3 MHz	80 - 52 dB μ V/m	0.3 - 30 MHz	52 - 34 dB μ V/m	30 - 1000 MHz	54 dB μ V/m	except for:		156 - 165 MHz	24 dB μ V/m	Frequency range:	Quasi peak limits:	0.15 - 30 MHz	80 - 50 dB μ V/m	30 - 100 MHz	60 - 54 dB μ V/m	100 - 1000 MHz	54 dB μ V/m	except for:		156 - 165 MHz	24 dB μ V/m	Frequency range:	Average limit:	1000 - 6000 MHz	54 dB μ V/m	<p>- procedure in accordance with the standard but distance 3 m between equipment and antenna</p> <p>- for the frequency band 156 MHz to 165 MHz the measurement shall be repeated with a receiver bandwidth of 9 kHz (as per IEC 60945).</p> <p>- alternatively the radiation limit at a distance of 3 m from the enclosure port over the frequency 156 MHz to 165 MHz shall be 30 dB micro-V/m Peak (as per IEC 60945).</p> <p>- procedure in accordance with the standard (distance 3 m between equipment and antenna)</p> <p>- Equipment intended to transmit radio signals for the purpose of radio communication (e.g. wifi router, remote radio controller) may be exempted from limit, within its communication frequency range, subject to the provisions in UR E22.5.2.</p>
Frequency range:	Quasi peak limits:																															
0.15 - 0.3 MHz	80 - 52 dB μ V/m																															
0.3 - 30 MHz	52 - 34 dB μ V/m																															
30 - 1000 MHz	54 dB μ V/m																															
except for:																																
156 - 165 MHz	24 dB μ V/m																															
Frequency range:	Quasi peak limits:																															
0.15 - 30 MHz	80 - 50 dB μ V/m																															
30 - 100 MHz	60 - 54 dB μ V/m																															
100 - 1000 MHz	54 dB μ V/m																															
except for:																																
156 - 165 MHz	24 dB μ V/m																															
Frequency range:	Average limit:																															
1000 - 6000 MHz	54 dB μ V/m																															
20.	Conducted Emission	CISPR 16-2-1	<p>Test applicable to AC and DC power ports</p> <p>For equipment installed in the bridge and deck zone.</p> <table border="1" data-bbox="1032 1161 1480 1278"> <thead> <tr> <th>Frequency range:</th> <th>Limits:</th> </tr> </thead> <tbody> <tr> <td>10 - 150 kHz</td> <td>96 - 50 dBμV</td> </tr> <tr> <td>150 - 350 kHz</td> <td>60 - 50 dBμV</td> </tr> <tr> <td>350 kHz - 30 MHz</td> <td>50 dBμV</td> </tr> </tbody> </table>	Frequency range:	Limits:	10 - 150 kHz	96 - 50 dB μ V	150 - 350 kHz	60 - 50 dB μ V	350 kHz - 30 MHz	50 dB μ V																					
Frequency range:	Limits:																															
10 - 150 kHz	96 - 50 dB μ V																															
150 - 350 kHz	60 - 50 dB μ V																															
350 kHz - 30 MHz	50 dB μ V																															

E10
(cont)

NO.	TEST	PROCEDURE ACC. TO:*	TEST PARAMETERS	OTHER INFORMATION								
			<p>For equipment installed in the general power distribution zone.</p> <table border="1" data-bbox="1032 300 1480 416"> <thead> <tr> <th data-bbox="1032 300 1256 331">Frequency range:</th> <th data-bbox="1256 300 1480 331">Limits:</th> </tr> </thead> <tbody> <tr> <td data-bbox="1032 331 1256 355">10 - 150 kHz</td> <td data-bbox="1256 331 1480 355">120 - 69 dBμV</td> </tr> <tr> <td data-bbox="1032 355 1256 379">150 - 500 kHz</td> <td data-bbox="1256 355 1480 379">79 dBμV</td> </tr> <tr> <td data-bbox="1032 379 1256 416">0.5 - 30 MHz</td> <td data-bbox="1256 379 1480 416">73 dBμV</td> </tr> </tbody> </table>	Frequency range:	Limits:	10 - 150 kHz	120 - 69 dB μ V	150 - 500 kHz	79 dB μ V	0.5 - 30 MHz	73 dB μ V	
Frequency range:	Limits:											
10 - 150 kHz	120 - 69 dB μ V											
150 - 500 kHz	79 dB μ V											
0.5 - 30 MHz	73 dB μ V											
21.	Flame retardant	IEC 60092-101 or IEC 60695-11-5	<p>Flame application: 5 times 15 s each. Interval between each application: 15s or 1 time 30s.</p> <p>Test criteria based upon application.</p> <p>The test is performed with the EUT or housing of the EUT applying needle-flame test method.</p>	<ul style="list-style-type: none"> - the burnt out or damaged part of the specimen by not more than 60 mm long. - no flame, no incandescence or - in the event of a flame or incandescence being present, it shall extinguish itself within 30 s of the removal of the needle flame without full combustion of the test specimen. - any dripping material shall extinguish itself in such a way as not to ignite a wrapping tissue. The drip height is 200 mm \pm 5 mm. 								

E10 (cont)

Notes:

1. Dry heat at 70 °C is to be carried out to automation, control and instrumentation equipment subject to high degree of heat, for example mounted in consoles, housings, etc. together with other heat dissipating power equipment.
2. For equipment installed in non-weather protected locations or cold locations test is to be carried out at -25°C.
3. Salt mist test is to be carried out for equipment installed in weather exposed areas.
4. Performance Criterion B: (For transient phenomena): The EUT shall continue to operate as intended after the tests. No degradation of performance or loss of function is allowed as defined in the technical specification published by the manufacturer. During the test, degradation or loss of function or performance which is self recoverable is however allowed but no change of actual operating state or stored data is allowed.
5. Performance Criterion A: (For continuous phenomena): The Equipment Under Test shall continue to operate as intended during and after the test. No degradation of performance or loss of function is allowed as defined in relevant equipment standard and the technical specification published by the manufacturer.
6. For equipment installed on the bridge and deck zone, the test levels shall be increased to 10V rms for spot frequencies in accordance with IEC 60945 at 2, 3, 4, 6.2, 8.2, 12.6, 16.5, 18.8, 22, 25 MHz.

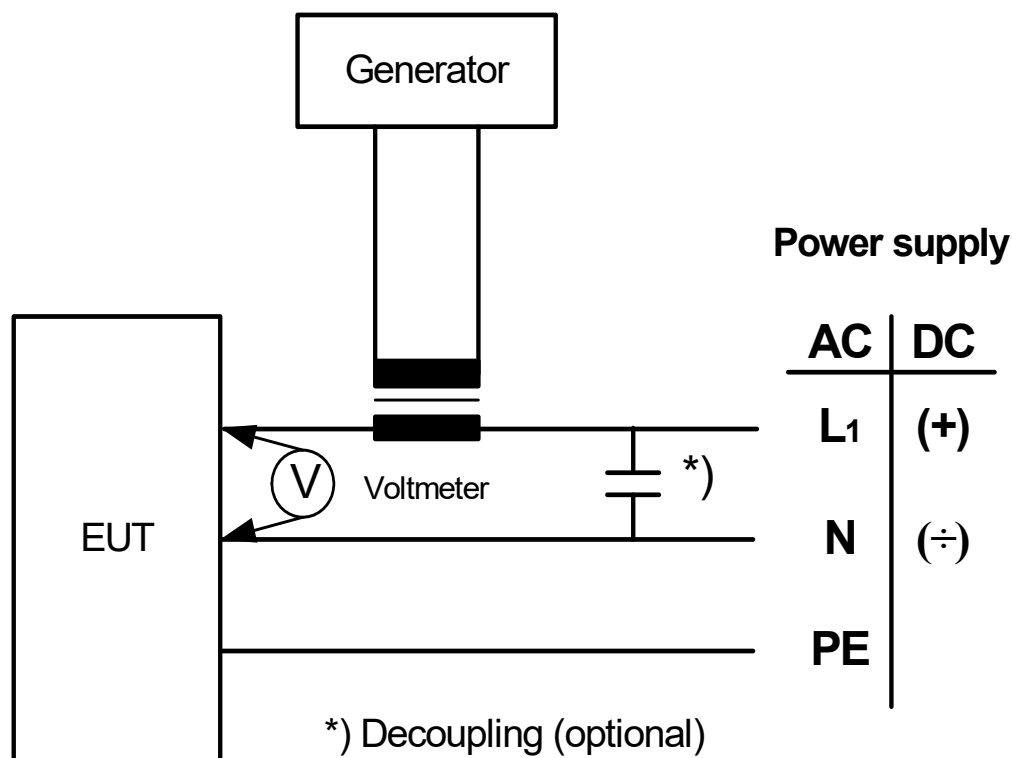


Figure - Test Set-up – Conducted Low Frequency Test

End of
Document

E11 Unified requirements for systems with voltages above 1 kV up to 15 kV

(1991)
(Rev.1
May 2001)
(Rev.2
July 2003)
(Rev.3
Feb 2015)
(Corr.1
June 2018)

1. General

1.1 Field of application

The following requirements apply to a.c. three-phase systems with nominal voltage exceeding 1kV, the nominal voltage is the voltage between phases.

If not otherwise stated herein, construction and installation applicable to low voltage equipment generally apply to high voltage equipment.

1.2 Nominal system voltage

The nominal system voltage is not to exceed 15 kV.

Note: Where necessary for special application, higher voltages may be accepted by the Society.

1.3 High-voltage, low-voltage segregation

Equipment with voltage above about 1 kV is not to be installed in the same enclosure as low voltage equipment, unless segregation or other suitable measures are taken to ensure that access to low voltage equipment is obtained without danger.

2. System Design

2.1 Distribution

2.1.1 Network configuration for continuity of ship services

It is to be possible to split the main switchboard into at least two independent sections, by means of at least one circuit breaker or other suitable disconnecting devices, each supplied by at least one generator. If two separate switchboards are provided and interconnected with cables, a circuit breaker is to be provided at each end of the cable.

Services which are duplicated are to be divided between the sections.

2.1.2 Earthed neutral systems

In case of earth fault, the current is not to be greater than full load current of the largest generator on the switchboard or relevant switchboard section and not less than three times the minimum current required to operate any device against earth fault.

It is to be assured that at least one source neutral to ground connection is available whenever the system is in the energised mode. Electrical equipment in directly earthed neutral or other neutral earthed systems is to withstand the current due to a single phase fault against earth for the time necessary to trip the protection device.

Note:

1. Rev.3 of this UR is to be uniformly implemented by IACS Societies from 1 July 2016.

E11
(cont)

2.1.3 Neutral disconnection

Means of disconnection are to be fitted in the neutral earthing connection of each generator so that the generator may be disconnected for maintenance and for insulation resistance measurement.

2.1.4 Hull connection of earthing impedance

All earthing impedances are to be connected to the hull. The connection to the hull is to be so arranged that any circulating currents in the earth connections do not interfere with radio, radar, communication and control equipment circuits.

2.1.5 Divided systems

In the systems with neutral earthed, connection of the neutral to the hull is to be provided for each section.

2.2 Degrees of protection

2.2.1 General

Each part of the electrical installation is to be provided with a degree of protection appropriate to the location, as a minimum the requirements of IEC 60092-201.

2.2.2 Rotating machines

The degree of protection of enclosures of rotating electrical machines is to be at least IP 23. The degree of protection of terminals is to be at least IP44.

For motors installed in spaces accessible to unqualified personnel, a degree of protection against approaching or contact with live or moving parts of at least IP4X is required.

2.2.3 Transformers

The degree of protection of enclosures of transformers is to be at least IP23.

For transformers installed in spaces accessible to unqualified personnel a degree of protection of at least IP4X is required.

For transformers not contained in enclosures, see para 7.1.

2.2.4 Switchgear, controlgear assemblies and converters

The degree of protection of metal enclosed switchgear, controlgear assemblies and static converters is to be at least IP32. For switchgear, control gear assemblies and static converters installed in spaces accessible to unqualified personnel, a degree of protection of at least IP4X is required.

2.3 Insulation

2.3.1 Air clearance

In general, for Non Type Tested equipment phase-to-phase air clearances and phase-to-earth air clearances between non-insulated parts are to be not less than those specified in Table 2.3.1.

Table 2.3.1

Nominal Voltage (kV)	Minimum air clearance (mm)
3(3.3)	55
6 (6.6)	90
10 (11)	120
15	160

Intermediate values may be accepted for nominal voltages provided that the next higher air clearance is observed.

In the case of smaller distances, appropriate voltage impulse test must be applied.

2.3.2 Creepage distances

Creepage distances between live parts and between live parts and earthed metal parts are to be in accordance with IEC 60092-503 for the nominal voltage of the system, the nature of the insulation material and the transient overvoltage developed by switch and fault conditions.

2.4 Protection

2.4.1 Faults on the generator side of circuit breaker

Protective devices are to be provided against phase-to-phase faults in the cables connecting the generators to the main switchboard and against interwinding faults within the generators. The protective devices are to trip the generator circuit breaker and to automatically de-excite the generator.

In distribution systems with a neutral earthed, phase to earth faults are also to be treated as above.

2.4.2 Faults to earth

Any earth fault in the system is to be indicated by means of a visual and audible alarm. In low impedance or direct earthed systems provision is to be made to automatic disconnect the faulty circuits. In high impedance earthed systems, where outgoing feeders will not be isolated in case of an earth fault, the insulation of the equipment is to be designed for the phase to phase voltage.

Note: Earthing factor is defined as the ratio between the phase to earth voltage of the health phase and the phase to phase voltage. This factor may vary between $(1/\sqrt{3})$ and 1.

A system is defined effectively earthed (low impedance) when this factor is lower than 0.8. A system is defined non-effectively earthed (high impedance) when this factor is higher than 0.8.

2.4.3 Power transformers

Power transformers are to be provided with overload and short circuit protection. When transformers are connected in parallel, tripping of the protective devices at the primary side has to automatically trip the switch connected at the secondary side.

E11
(cont)**2.4.4 Voltage transformers for control and instrumentation**

Voltage transformers are to be provided with overload and short circuit protection on the secondary side.

2.4.5 Fuses

Fuses are not to be used for overload protection.

2.4.6 Low voltage systems

Lower voltage systems supplied through transformers from high voltage systems are to be protected against overvoltages. This may be achieved by:

- i) direct earthing of the lower voltage system.
- ii) appropriate neutral voltage limiters.
- iii) earthed screen between the primary and secondary windings of transformers.

3. Rotating machinery**3.1 Stator windings of generators**

Generator stator windings are to have all phase ends brought out for the installation of the differential protection.

3.2 Temperature detectors

Rotating machinery is to be provided with temperature detectors in their stator windings to actuate a visual and audible alarm in a normally attended position whenever the temperature exceeds the permissible limit.

If embedded temperature detectors are used, means are to be provided to protect the circuit against overvoltage.

3.3 Tests

In addition to the tests normally required for rotating machinery, a high frequency high voltage test in accordance with IEC 60034-15 is to be carried out on the individual coils in order to demonstrate a satisfactory withstand level of the inter-turn insulation to steep fronted switching surges.

4. Power Transformers**4.1 General**

Dry type transformers have to comply with IEC 60076-11. Liquid cooled transformers have to comply with IEC 60076. Oil immersed transformers are to be provided with the following alarms and protections:

- liquid level (Low) - alarm
- liquid temperature (High) - alarm
- liquid level (Low) - trip or load reduction
- liquid temperature (High) - trip or load reduction
- gas pressure relay (High) - trip

E11
(cont)**5. Cables**

5.1 General

Cables are to be constructed in accordance with the IEC 60092-353 and 60092-354 or other equivalent Standard.

6. Switchgear and controlgear assemblies

6.1 General

Switchgear and controlgear assemblies are to be constructed according to the IEC 62271-200 and the following additional requirements.

6.2 Construction

6.2.1 Mechanical construction

Switchgear is to be of metal – enclosed type in accordance with IEC 62271-200 or of the insulation – enclosed type in accordance with the IEC 62271-201.

6.2.2 Locking facilities

Withdrawable circuit breakers and switches are to be provided with mechanical locking facilities in both service and disconnected positions. For maintenance purposes, key locking of withdrawable circuit breakers and switches and fixed disconnectors is to be possible.

Withdrawable circuit breakers are to be located in the service position so that there is no relative motion between fixed and moving portions.

6.2.3 Shutters

The fixed contacts of withdrawable circuit breakers and switches are to be so arranged that in the withdrawable position the live contacts are automatically covered.

Shutters are to be clearly marked for incoming and outgoing circuits. This may be achieved with the use of colours or labels.

6.2.4 Earthing and short-circuiting

For maintenance purposes an adequate number of earthing and short-circuiting devices is to be provided to enable circuits to be worked upon with safety.

6.2.5 Internal arc Classification (IAC)

Switchgear and controlgear assemblies shall be internal arc classified (IAC).

Where switchgear and controlgear are accessible by authorized personnel only Accessibility Type A is sufficient (IEC 62271-200; Annex AA; AA 2.2). Accessibility Type B is required if accessible by non-authorized personnel.

Installation and location of the switchgear and controlgear shall correspond with its internal arc classification and classified sides (F, L and R).

E11
(cont)**6.3 Auxiliary systems****6.3.1 Source and capacity of supply**

If electrical energy and/or physical energy is required for the operation of circuit breakers and switches, a stored supply of such energy is to be provided for at least two operations of all the components.

However, the tripping due to overload or short-circuit, and under-voltage is to be independent of any stored electrical energy sources. This does not preclude shunt tripping provided that alarms are activated upon lack of continuity in the release circuits and power supply failures.

6.3.2 Number of external supply sources

When external source of supply is necessary for auxiliary circuits, at least two external sources of supply are to be provided and so arranged that a failure or loss of one source will not cause the loss of more than one generator set and/or set of essential services. Where necessary one source of supply is to be from the emergency source of electrical power for the start up from dead ship condition.

6.4 High voltage test

A power-frequency voltage test is to be carried out on any switchgear and controlgear assemblies. The test procedure and voltages are to be according to the IEC 62271-200 section 7/ routine test.

7. Installation**7.1 Electrical equipment**

Where equipment is not contained in an enclosure but a room forms the enclosure of the equipment, the access doors are to be so interlocked that they cannot be opened until the supply is isolated and the equipment earthed down.

At the entrance of the spaces where high-voltage electrical equipment is installed, a suitable marking is to be placed which indicates danger of high-voltage. As regard the high-voltage electrical equipment installed out-side a.m. spaces, the similar marking is to be provided. An adequate, unobstructed working space is to be left in the vicinity of high voltage equipment for preventing potential severe injuries to personnel performing maintenance activities. In addition, the clearance between the switchboard and the ceiling/deckhead above is to meet the requirements of the Internal Arc Classification according to IEC 62271-200 (see 6.2.5).

7.2 Cables**7.2.1 Runs of cables**

In accommodation spaces, high voltage cables are to be run in enclosed cable transit systems.

7.2.2 Segregation

High voltage cables are to be segregated from cables operating at different voltage ratings each other; in particular, they are not to be run in the same cable bunch, nor in the same ducts or pipes, or, in the same box.

E11
(cont)

Where high voltage cables of different voltage ratings are installed on the same cable tray, the air clearance between cables is not to be less than the minimum air clearance for the higher voltage side in 2.3.1. However, high voltage cables are not to be installed on the same cable tray for the cables operating at the nominal system voltage of 1 kV and less.

7.2.3 Installation arrangements

High voltage cables, in general, are to be installed on cable trays when they are provided with a continuous metallic sheath or armour which is effectively bonded to earth; otherwise they are to be installed for their entire length in metallic castings effectively bonded to earth.

7.2.4 Terminations

Terminations in all conductors of high voltage cables are to be, as far as practicable, effectively covered with suitable insulating material. In terminal boxes, if conductors are not insulated, phases are to be separated from earth and from each other by substantial barriers of suitable insulating materials.

High voltage cables of the radial field type, i.e. having a conductive layer to control the electric field within the insulation, are to have terminations which provide electric stress control.

Terminations are to be of a type compatible with the insulation and jacket material of the cable and are to be provided with means to ground all metallic shielding components (i.e. tapes, wires etc).

7.2.5 Marking

High voltage cables are to be readily identifiable by suitable marking.

7.2.6 Test after installation

Before a new high voltage cable installation, or an addition to an existing installation, is put into service a voltage withstand test is to be satisfactorily carried out on each completed cable and its accessories.

The test is to be carried out after an insulation resistance test.

For cables with rated voltage (U_0/U) above 1.8/3 kV ($U_m=3.6$ kV) an a.c. voltage withstand test may be carried out upon advice from high voltage cable manufacturer. One of the following test methods to be used:

- a) test for 5 min with the phase-to-phase voltage of the system applied between the conductor and the metallic screen/sheath.
- b) test for 24 h with the normal operating voltage of the system.

Alternatively, a d.c. test voltage equal to 4 U_0 may be applied for 15 minutes.

For cables with rated voltage (U_0/U) up to 1.8/3 kV ($U_m=3.6$ kV) a d.c. voltage equal to 4 U_0 shall be applied for 15 minutes.

After completion of the test, the conductors are to be connected to earth for a sufficient period in order to remove any trapped electric charge.

An insulation resistance test is then repeated.

End of Document

E12 Electrical Equipment allowed in paint stores and in the enclosed spaces leading to paint stores

(1994)
(Corr.
1997)
(Rev.1
May
2001)

1. Electrical equipment is to be installed in paint stores and in ventilation ducts serving such spaces only when it is essential for operational services.

Certified safe type equipment of the following type is acceptable ;

- a. intrinsically safe Exi
- b. flameproof Exd
- c. pressurised Exp
- d. increased safety Exe
- e. special protection Exs

Cables (through-runs or terminating cables) of armoured type or installed in metallic conduits are to be used.

2. The minimum requirements for the certified safe type equipment are as follows:
 - explosion group II B
 - temperature class T3
3. Switches, protective devices, motor control gear of electrical equipment installed in a paint store are to interrupt all poles or phases and preferably are to be located in non-hazardous space.
4. In the areas on open deck within 1m of inlet and exhaust ventilation openings or within 3 m of exhaust mechanical ventilation outlets, the following electrical equipment may be installed:
 - electrical equipment with the type of protection as permitted in paint stores or
 - equipment of protection class Exn or
 - appliances which do not generate arcs in service and whose surface does not reach unacceptably high temperature or
 - appliances with simplified pressurised enclosures or vapour-proof enclosures (minimum class of protection IP55) whose surface does not reach unacceptably high temperature
 - cables as specified in clause 1.
5. The enclosed spaces giving access to the paint store may be considered as non-hazardous, provided that :
 - the door to the paint store is a gastight door with self-closing devices without holding back arrangements,
 - the paint store is provided with an acceptable, independent, natural ventilation system ventilated from a safe area,
 - warning notices are fitted adjacent to the paint store entrance stating that the store contains flammable liquids.

Note:

The paint stores and inlet and exhaust ventilation ducts under Clause 1 are classified as Zone-1-and areas on open deck under Clause 4 as Zone 2, as defined in IEC standard 60092-502, Electrical Installation in ships-part 502: Tankers-special features.

A watertight door may be considered as being gastight.



E13 Test requirements for Rotating Machines

(1996)
(Rev.1
May 2001)
(Corr.1
May 2004)
(Rev.2
Aug 2015)
(Corr.1
June 2018)

1. General

All machines are to be tested by the manufacturer.

Manufacturer's test records are to be provided for machines for essential services, for other machines they are to be available upon request.

All tests are to be carried out according to IEC 60092-301.

All machines of 100kW and over, intended for essential services, are to be surveyed by the Society during test and, if appropriate, during manufacturing.

Note: An alternative survey scheme may be agreed by the Society with the manufacturer whereby attendance of the Surveyor will not be required as required above.

2. Shaft Material

Shaft material for electric propulsion motors and for main engine driven generators where the shaft is part of the propulsion shafting is to be certified by the Society.

Shaft material for other machines is to be in accordance with recognised international or national standard.

3. Tests

Type tests are to be carried out on a prototype machine or on the first of a batch of machines, and routine tests carried out on subsequent machines in accordance with Table 1.

Note: Test requirements may differ for shaft generators, special purpose machines and machines of novel construction.

Note:

1. Rev.2 of this UR is to be uniformly implemented by IACS Societies for rotating machines:
 - i) when an application for certification of a rotating machine is dated on or after 1 January 2017; or
 - ii) which are installed in new ships for which the date of contract for construction is on or after 1 January 2017.
2. The "contracted for construction" date means the date on which the contract to build the vessel is signed between the prospective owner and the shipbuilder. For further details regarding the date of "contract for construction", refer to IACS Procedural Requirement (PR) No. 29.

E13

(cont)

Table 1

No.	Tests	A.C. Generators		Motors	
		Type test ¹⁾	Routine test ²⁾	Type test ¹⁾	Routine test ²⁾
1.	Examination of the technical documentation, as appropriate and visual inspection	x	x	x	x
2.	Insulation resistance measurement	x	x	x	x
3.	Winding resistance measurement	x	x	x	x
4.	Verification of the voltage regulation system	x	x ³⁾		
5.	Rated load test and temperature rise measurements	x		x	
6.	Overload/overcurrent test	x	x ⁴⁾	x	x ⁴⁾
7.	Verification of steady short circuit conditions ⁵⁾	x			
8.	Overspeed test	x	x	x ⁶⁾	x ⁶⁾
9.	Dielectric strength test	x	x	x	x
10.	No-load test	x	x	x	x
11.	Verification of degree of protection	x		x	
12.	Verification of bearings	x	x	x	x

- 1) Type tests on prototype machine or tests on at least the first batch of machines.
- 2) The report of machines routine tested is to contain the manufacturer's serial number of the machine which has been type tested and the test result.
- 3) Only functional test of voltage regulator system.
- 4) Only applicable for machine of essential services rated above 100kW.
- 5) Verification of steady short circuit condition applies to synchronous generators only.
- 6) Not applicable for squirrel cage motors.

E13

(cont)

4. Description of the test

4.1 Examination of the technical documentation, as appropriate and visual inspection

4.1.1 Examination of the technical documentation

Technical documentation of machines rated at 100kW and over is to be available for examination by the Surveyor.

4.1.2 Visual inspection

A visual examination is to be made of the machine to ensure, as far as is practicable, that it complies with technical documentation.

4.2 Insulation resistance measurement

Immediately after the high voltage tests the insulation resistances are to be measured using a direct current insulation tester between:

- a) all current carrying parts connected together and earth,
- b) all current carrying parts of different polarity or phase, where both ends of each polarity or phase are individually accessible.

The minimum values of test voltages and corresponding insulation resistances are given in Table 2. The insulation resistance is to be measured close to the operating temperature, or an appropriate method of calculation is to be used.

Table 2

Related Voltage Un (V)	Minimum Test Voltage (V)	Test Minimum Insulation Resistance (MΩ)
Un ≤ 250	2 x Un	1
250 < Un ≤ 1000	500	1
1000 < Un ≤ 7200	1000	(Un / 1000) + 1
7200 < Un ≤ 15000	5000	(Un / 1000) + 1

4.3 Winding resistance measurement

The resistances of the machine windings are to be measured and recorded using an appropriate bridge method or voltage and current method.

4.4 Verification of the voltage regulation system

The alternating current generator, together with its voltage regulation system shall, at all loads from no-load running to full load, be able to keep rated voltage at the rated power factor under steady conditions within ± 2.5%. These limits may be increased to ± 3.5% for emergency sets.

When the generator is driven at rated speed, giving its rated voltage, and is subjected to a sudden change of symmetrical load within the limits of specified current and power factor, the voltage is not to fall below 85% nor exceed 120% of the rated voltage.

E13
(cont)

The voltage of the generator is then to be restored to within plus or minus 3% of the rated voltage for the main generator sets in not more than 1.5 s. For emergency sets, these values may be increased to plus or minus 4% in not more than 5 s, respectively.

In the absence of precise information concerning the maximum values of the sudden loads, the following conditions may be assumed: 60% of the rated current with a power factor of between 0.4 lagging and zero to be suddenly switched on with the generator running at no load, and then switched off after steady - state conditions have been reached. Subject to Classification Society's approval, such voltage regulation during transient conditions may be calculated values based on the previous type test records, and need not to be tested during factory testing of a generator.

4.5 Rated load test and temperature rise measurements

The temperature rises are to be measured at the rated output, voltage, frequency and the duty for which the machine is rated and marked in accordance with the testing methods specified in IEC 60034-1, or by means of a combination of other tests.

The limits of temperature rise are those specified in Table 1 of IEC 60034-1 adjusted as necessary for the ambient reference temperatures specified in UR M40.

4.6 Overload/overcurrent tests

Overload test is to be carried out as a type test for generators as a proof of overload capability of generators and excitation system, for motors as a proof of momentary excess torque as required in IEC 60034-1. The overload test can be replaced at routine test by the overcurrent test. The over current test shall be the proof of current capability of windings, wires, connections etc. of each machine. The overcurrent test can be done at reduced speed (motors) or at short circuit (generators).

4.7 Verification of steady short-circuit conditions

It is to be verified that under steady-state short-circuit conditions, the generator with its voltage regulating system is capable of maintaining, without sustaining any damage, a current of at least three times the rated current for a duration of at least 2 s or, where precise data is available, for a duration of any time delay which will be fitted in the tripping device for discrimination purposes.

In order to provide sufficient information to the party responsible for determining the discrimination settings in the distribution system where the generator is going to be used, the generator manufacturer shall provide documentation showing the transient behaviour of the short circuit current upon a sudden short-circuit occurring when excited, and running at nominal speed. The influence of the automatic voltage regulator shall be taken into account, and the setting parameters for the voltage regulator shall be noted together with the decrement curve. Such a decrement curve shall be available when the setting of the distribution system's short-circuit protection is calculated. The decrement curve need not be based on physical testing. The manufacturer's simulation model for the generator and the voltage regulator may be used where this has been validated through the previous type test on the same model.

E13
(cont)**4.8 Overspeed test**

Machines are to withstand the overspeed test as specified in IEC 60034-1. This test is not applicable for squirrel cage motors.

4.9 Dielectric strength test

Machines are to withstand a dielectric test as specified in IEC 60034-1.

For high voltage machine an impulse test is to be carried out on the coils according to UR E11.

4.10 No load test

Machines are to be operated at no load and rated speed whilst being supplied at rated voltage and frequency as a motor or if a generator it is to be driven by a suitable means and excited to give rated terminal voltage.

During the running test, the vibration of the machine and operation of the bearing lubrication system, if appropriate, are to be checked.

4.11 Verification of degree of protection

As specified in IEC 60034-5.

4.12 Verification of bearings

Upon completion of the above tests, machines which have sleeve bearings are to be opened upon request for examination by the Classification Society Surveyor, to establish that the shaft is correctly seated in the bearing shells.

End of Document

E15 Electrical Services Required to be Operable Under Fire Conditions and Fire Resistant Cables

(Nov.
1999)
(Rev.1
May
2004)
(Rev.2
Feb
2006)
(Rev.3
Dec
2014)

1. Electrical services required to be operable under fire conditions are as follows:

- Control and power systems to power-operated fire doors and status indication for all fire doors
- Control and power systems to power-operated watertight doors and their status indication
- Emergency fire pump
- Emergency lighting
- Fire and general alarms
- Fire detection systems
- Fire-extinguishing systems and fire-extinguishing media release alarms
- Low location lighting
- Public address systems
- Remote emergency stop/shutdown arrangements for systems which may support the propagation of fire and/or explosion

2. Where cables for services specified in 1. including their power supplies pass through high fire risk areas, and in addition for passenger ships, main vertical fire zones, other than those which they serve, they are to be so arranged that a fire in any of these areas or zones does not affect the operation of the service in any other area or zone. This may be achieved by either of the following measures:

- a) Cables being of a fire resistant type complying with IEC 60331-1 for cables of greater than 20 mm overall diameter, otherwise IEC 60331-21 or IEC 60331-2 for cables with an overall diameter not exceeding 20 mm, are installed and run continuous to keep the fire integrity within the high fire risk area, see Figure 1.
- b) At least two-loops/radial distributions run as widely apart as is practicable and so arranged that in the event of damage by fire at least one of the loops/radial distributions remains operational.

Systems that are self monitoring, fail safe or duplicated with cable runs as widely separated as is practicable may be exempted.

Notes:

1. Rev.3 of this UR is to be uniformly implemented by IACS Societies from 1 January 2016.

E15

(cont'd)

3. The electrical cables to the emergency fire pump are not to pass through the machinery spaces containing the main fire pumps and their source(s) of power and prime mover(s). They are to be of a fire resistant type, in accordance with 2 (a), where they pass through other high fire risk areas.

Notes:

a) For the purpose of E15 application, the definition for “high fire risk areas” is the following:

- (i) Machinery spaces as defined by Chap. II-2 / Reg. 3.30 of SOLAS, except spaces having little or no fire risk as defined by paragraphs (10) of Chap. II-2 / Reg. 9.2.2.3.2.2 of SOLAS. (Including the interpretations for tables 9.3, 9.4, 9.5, 9.6, 9.7 and 9.8 given in MSC/Circ.1120)
- (ii) Spaces containing fuel treatment equipment and other highly flammable substances
- (iii) Galley and Pantries containing cooking appliances
- (iv) Laundry containing drying equipment
- (v) Spaces as defined by paragraphs (8), (12), and (14) of Chap. II-2 / Reg. 9.2.2.3.2.2 of SOLAS for ships carrying more than 36 passengers

b) Fire resistant type cables should be easily distinguishable.

c) For special cables, requirements in the following standards may be used:

IEC60331-23: Procedures and requirements – Electric data cables

IEC60331-25: Procedures and requirements – Optical fibre cables

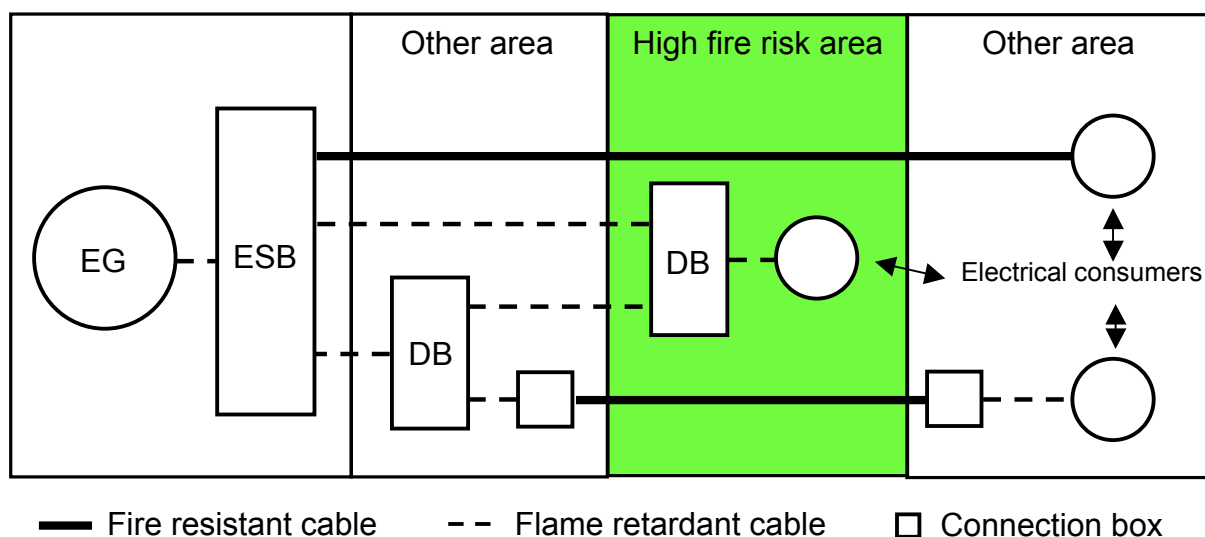


Figure 1

End of
Document

E16 Cable trays/protective casings made of plastics materials

(June
2002)

1. General requirement

Cable trays/protective casings made of plastics materials are to be type tested ¹⁾.

Note: "Plastics" means both thermoplastic and thermosetting plastic materials with or without reinforcement, such as PVC and fibre reinforced plastics - FRP.
"Protective casing" means a closed cover in the form of a pipe or other closed ducts of non-circular shape.

2. Installation Requirements

2.1. Cable trays/protective casings made of plastics materials are to be supplemented by metallic fixing and straps such that in the event of a fire they, and the cables affixed, are prevented from falling and causing an injury to personnel and/or an obstruction to any escape route.

Note: When plastics cable trays/protective casings are used on open deck, they are additionally to be protected against UV light.

2.2. The load on the cable trays/protective casings is to be within the Safe Working Load (SWL). The support spacing is not to be greater than the Manufacturer's recommendation nor in excess of spacing at the SWL test. In general the spacing is not to exceed 2 meters.

Note: The selection and spacing of cable tray/protective casing supports are to take into account:

- cable trays/protective casings' dimensions;
- mechanical and physical properties of their material;
- mass of cable trays/protective casings;
- loads due weight of cables, external forces, thrust forces and vibrations;
- maximum accelerations to which the system may be subjected;
- combination of loads .

2.3. The sum of the cables' total cross-sectional area, based on the cables' external diameter, is not to exceed 40% of the protective casing's internal cross-sectional area. This does not apply to a single cable in a protective casing.

Note:

1) Cable trays/protective casings made of plastic materials are to be type tested in accordance with the Type Approval Procedure applied by the Society. For guidance on testing, refer to REC 73.



E17 Generators and generator systems, having the ship's propulsion machinery as their prime mover, not forming part of the ship's main source of electrical power.

(June 2002)

Generators and generator systems, having the ship's propulsion machinery as their prime mover but not forming part of the ship's main source of electrical power¹ may be used whilst the ship is at sea to supply electrical services required for normal operational and habitable conditions provided that:

1. there are sufficient and adequately rated additional generators fitted, which constitute the main source of electrical power required by SOLAS, meeting the requirements of IEC 60092-201² paragraph 6.2.3.
2. arrangements are fitted to automatically start one or more of the generators, constituting the main source of electrical power required by SOLAS, in compliance with paragraph 2.2 of SC 157 and also upon the frequency variations exceeding $\pm 10\%$ of the limits specified below.
3. within the declared operating range of the generators and/or generator systems the specified limits for the voltage variations in IEC 60092—301³ and the frequency variations in UR E5 can be met.
4. the short circuit current of the generator and/or generator system is sufficient to trip the generator/generator system circuit-breaker taking into account the selectivity of the protective devices for the distribution system.
5. where considered appropriate, load shedding arrangements are fitted to meet the requirements of paragraph 2.3 of SC 157.
6. on ships having remote control of the ship's propulsion machinery from the navigating bridge means are provided, or procedures be in place, so as to ensure that supplies to essential services are maintained during manoeuvring conditions in order to avoid a blackout situation⁴.

Notes:

1. Such generator systems are those whose operation does not meet the requirements of IEC 60092-201, paragraph 6.2.3.
2. IEC 60092-201 Electrical installations in ships - part 201: System design - General
3. IEC 60092-301 Electrical installations in ships - part 301: Equipment — Generators and motors.
4. A 'blackout situation' means that the main and auxiliary machinery installations, including the main power supply, are out of operation but the services for bringing them into operation (e.g. compressed air, starting current from batteries etc.) are available.



E18 Recording of the Type, Location and Maintenance Cycle of Batteries

(July
2003)
(Rev.1
Dec
2014)

1. Where batteries are fitted for use for essential (UI SC134) and emergency services a schedule of such batteries is to be compiled and maintained. The schedule, which is to be reviewed by the Society during plan approval or the newbuilding survey, is to include at least the following information regarding the battery(ies):

- Type and manufacturer's type designation.
- Voltage and ampere-hour rating.
- Location.
- Equipment and/or system(s) served.
- Maintenance/replacement cycle dates.
- Date(s) of last maintenance and/or replacement.
- For replacement batteries in storage, the date of manufacture and shelf life.¹

2. Procedures are to be put in place to ensure that where batteries are replaced that they are of an equivalent performance type.

3. Where vented² type batteries replace valve-regulated sealed³ types, it is to be ensured that there is adequate ventilation⁴ and that the Society's requirements relevant to the location and installation of vented types batteries are complied with.

4. Details of the schedule and of the procedures are to be included in the ship's safety management system and be integrated into the ship's operational maintenance routine as appropriate⁵ to be verified by the Society's surveyor.

Note:

1. Rev.1 of this UR is to be uniformly implemented by IACS Societies from 1 January 2016.

E18

(cont)

1 Shelf life is the duration of storage under specified conditions at the end of which a battery retains the ability to give a specified performance.

2 A vented battery is one in which the cells have a cover provided with an opening through which products of electrolysis and evaporation are allowed to escape freely from the cells to atmosphere.

3 A valve-regulated battery is one in which cells are closed but have an arrangement (valve) which allows the escape of gas if the internal pressure exceeds a predetermined value.

4 The ventilation arrangements for installation of vented type batteries which have charging power higher than 2kW are to be such that the quantity of air expelled is at least equal to:

$$Q = 110/n$$

where

n = number of cells in series

I = maximum current delivered by the charging equipment during gas formation, but not less than 25 per cent of the maximum obtainable charging current in amperes

Q = quantity of air expelled in litres/hr.

The ventilation rate for compartments containing valve-regulated batteries may be reduced to 25 per cent of that given above.

5 See section 10 of the IMO ISM Code.

End of Document

E19 Ambient Temperatures for Electrical Equipment installed in environmentally controlled spaces

(July
2003)
(Rev.1
Sept.
2005)

1. Where electrical equipment is installed within environmentally controlled spaces the ambient temperature for which the equipment is to be suitable may be reduced from 45°C and maintained at a value not less than 35°C provided:

- the equipment is not for use for emergency services.
- temperature control is achieved by at least two cooling units so arranged that in the event of loss of one cooling unit, for any reason, the remaining unit(s) is capable of satisfactorily maintaining the design temperature.
- the equipment is able to be initially set to work safely within a 45°C ambient temperature until such a time that the lesser ambient temperature may be achieved; the cooling equipment is to be rated for a 45°C ambient temperature.
- audible and visual alarms are provided, at a continually manned control station, to indicate any malfunction of the cooling units.

2. In accepting a lesser ambient temperature than 45°C, it is to be ensured that electrical cables for their entire length are adequately rated for the maximum ambient temperature to which they are exposed along their length.

3. The equipment used for cooling and maintaining the lesser ambient temperature is to be classified as a secondary essential service, in accordance with UI SC 134 and to be subject to survey in accordance with the requirements of the relevant Society.

END

E20

(May
2004)
(Rev.1
June
2009)

Installation of electrical and electronic equipment in engine rooms protected by fixed water-based local application fire-fighting systems (FWBLAFFS)

Definitions:

Protected space:

- Is a machinery space where a FWBLAFFS is installed.

Protected areas:

- Areas within a protected space which is required to be protected by FWBLAFFS.

Adjacent areas:

- Areas, other than protected areas, exposed to direct spray.
- Areas, other than those defined above, where water may extend.

See also Fig. 1

Electrical and electronic equipment enclosures located within areas protected by FWBLAFFS and those within adjacent areas exposed to direct spray are to have a degree of protection not less than IP44, except where evidence of suitability is submitted to and approved by the Society.

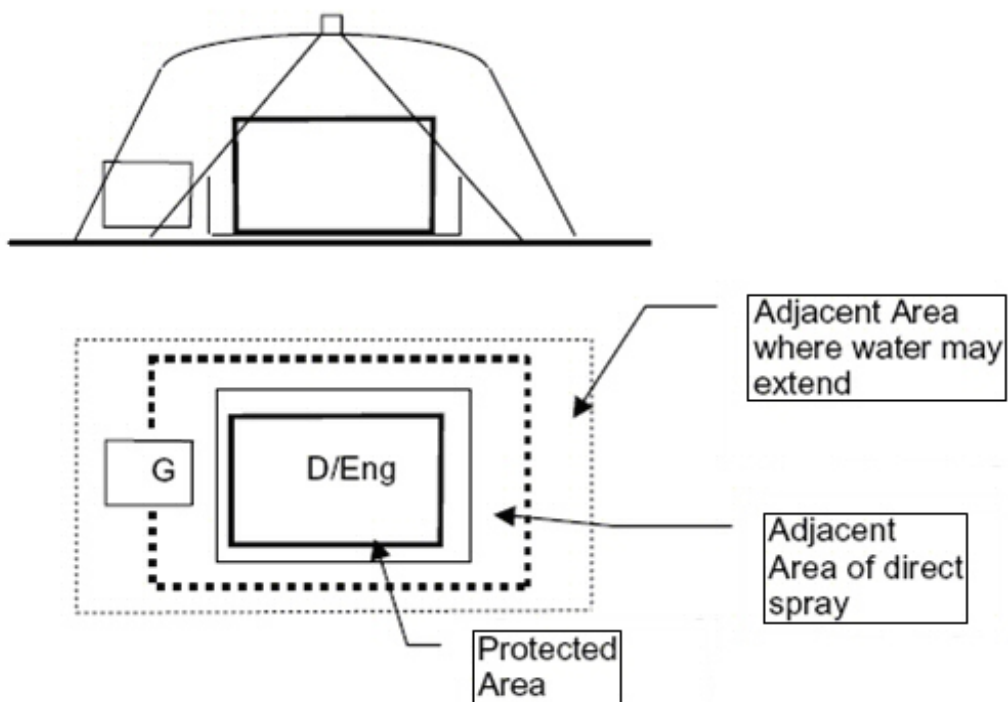
The electrical and electronic equipment within adjacent areas not exposed to direct spray may have a lower degree of protection provided evidence of suitability for use in these areas is submitted taking into account the design and equipment layout, e.g. position of inlet ventilation openings, cooling airflow for the equipment is to be assured.

Note

1. Additional precautions may be required to be taken in respect of:
 - a. tracking as the result of water entering the equipment
 - b. potential damage as the result of residual salts from sea water systems
 - c. high voltage installations
 - d. personnel protection against electric shock

E20
(cont)

Fig. 1



End of Document

E21 Requirements for uninterruptible power system (UPS) units as alternative and/or transitional power

(Sept. 2005)

Scope:

These requirements to UPS units, as defined in IEC 62040, apply when providing an alternative power supply or transitional power supply to services as defined in SOLAS Chapter II-1, Regulations 42 and 43.

A UPS unit complying with these requirements may provide an alternative power supply as an accumulator battery in terms of being an independent power supply for services defined in SOLAS Chapter II-1, Regulation 42, 2.3 or 43, 2.4.

Definitions:

Uninterruptible Power System (UPS) - combination of converters, switches and energy storage means, for example batteries, constituting a power system for maintaining continuity of load power in case of input power failure [IEC 62040:1999]

Off-line UPS unit - a UPS unit where under normal operation the output load is powered from the bypass line (raw mains) and only transferred to the inverter if the bypass supply fails or goes outside preset limits. This transition will invariably result in a brief (typically 2 to 10 ms) break in the load supply.

Line interactive UPS unit - an off-line UPS unit where the bypass line switch to stored energy power when the input power goes outside the preset voltage and frequency limits.

On-line UPS unit - a UPS unit where under normal operation the output load is powered from the inverter, and will therefore continue to operate without break in the event of the supply input failing or going outside preset limits.

1. Design and construction

1.1 UPS units are to be constructed in accordance with IEC 62040, or an acceptable and relevant national or international standard.

1.2 The operation of the UPS is not to depend upon external services.

1.3 The type of UPS unit employed, whether off-line, line interactive or on-line, is to be appropriate to the power supply requirements of the connected load equipment.

1.4 An external bypass is to be provided.

1.5 The UPS unit is to be monitored and audible and visual alarm is to be given in a normally attended location for

- power supply failure (voltage and frequency) to the connected load,
- earth fault,
- operation of battery protective device,
- when the battery is being discharged, and
- when the bypass is in operation for on-line UPS units.

E21**2. Location**

cont

2.1 The UPS unit is to be suitably located for use in an emergency.

2.2 UPS units utilising valve regulated sealed batteries may be located in compartments with normal electrical equipment, provided the ventilation arrangements are in accordance with the requirements of IEC 62040 or an acceptable and relevant national or international standard.

3. Performance

3.1 The output power is to be maintained for the duration required for the connected equipment as stated in SOLAS Chapter II-1, Regulation 42 or 43.

3.2 No additional circuits are to be connected to the UPS unit without verification that the UPS unit has adequate capacity. The UPS battery capacity is, at all times, to be capable of supplying the designated loads for the time specified in the regulations.

3.3 On restoration of the input power, the rating of the charge unit shall be sufficient to recharge the batteries while maintaining the output supply to the load equipment.

4. Testing and survey

4.1 UPS units of 50 kVA and over are to be surveyed by the Society during manufacturing and testing.

4.2 Appropriate testing is to be carried out to demonstrate that the UPS unit is suitable for its intended environment. This is expected to include as a minimum the following tests:

- Functionality, including operation of alarms;
- Temperature rise;
- Ventilation rate;
- Battery capacity.

4.3 Where the supply is to be maintained without a break following a power input failure, this is to be verified after installation by practical test.

END

E22 On Board Use and Application of Computer based systems

(Dec 2006
(Corr.1 Oct 2007)
(Rev.1 Sept 2010)
(Rev.2 June 2016
Complete Revision)

1. Introduction

1.1 Scope

These requirements apply to design, construction, commissioning and maintenance of computer based systems where they depend on software for the proper achievement of their functions. The requirements focus on the functionality of the software and on the hardware supporting the software. These requirements apply to the use of computer based systems which provide control, alarm, monitoring, safety or internal communication functions which are subject to classification requirements.

1.2 Exclusion

Navigation systems required by SOLAS Chapter V, Radio-communication systems required by SOLAS Chapter IV, and vessel loading instrument/stability computer are not in the scope of this requirement.

Note: For loading instrument/stability computer, Rec No. 48 may be considered.

1.3 References

For the purpose of application of this UR, the following identified standards can be used for the development of hardware/software of computer based systems. Other industry standards may be considered:

- IEC 61508: Functional safety of electrical/electronic/programmable electronic safety-related systems
- ISO/IEC 12207: Systems and software engineering - Software life cycle processes
- ISO 9001:2008 Quality Management Systems - Requirements

Note:

1. This UR is to be applied only to such systems on new ships contracted for construction on and after 1 January 2008 by IACS Societies.
2. Rev.1 of this UR is to be applied only to such systems on new ships contracted for construction on and after 1 January 2012 by IACS Societies.
3. Rev.2 of this UR is to be applied only to such systems on new ships contracted for construction on and after 1 July 2017 by IACS Societies.
4. The “contracted for construction” date means the date on which the contract to build the vessel is signed between the prospective owner and the shipbuilder. For further details regarding the date of “contract for construction”, refer to IACS Procedural Requirement (PR) No. 29.

E22
(cont)

- ISO/IEC 90003: Software engineering - Guidelines for the application of ISO 9001:2008 to computer software
- IEC 60092-504: Electrical installations in ships - Part 504: Special features - Control and instrumentation
- ISO/IEC 25000: Systems and software engineering - Systems and software Quality Requirements and Evaluation (SQuaRE) - Guide to SQuaRE
- ISO/IEC 25041: Systems and software engineering - Systems and software Quality Requirements and Evaluation (SQuaRE) - Evaluation guide for developers, acquirers and independent evaluators
- IEC 61511: Functional safety - Safety instrumented systems for the process industry sector
- ISO/IEC 15288: Systems and software engineering - system life cycle process

2. Definitions**2.1 Stakeholders****2.1.1 Owner**

The Owner is responsible for contracting the system integrator and/or suppliers to provide a hardware system including software according to the owner's specification. The Owner could be the Ship Builder Integrator (Builder or Shipyard) during initial construction. After vessel delivery, the owner may delegate some responsibilities to the vessel operating company.

2.1.2 System integrator

The role of system integrator shall be taken by the yard unless an alternative organisation is specifically contracted/assigned this responsibility. The system integrator is responsible for the integration of systems and products provided by suppliers into the system invoked by the requirements specified herein and for providing the integrated system. The system integrator may also be responsible for integration of systems in the vessel.

If there are multiple parties performing system integration at any one time a single party is to be responsible for overall system integration and coordinating the integration activities. If there are multiple stages of integration different System Integrators may be responsible for specific stages of integration but a single party is to be responsible for defining and coordinating all of the stages of integration.

2.1.3 Supplier

The Supplier is any contracted or subcontracted provider of system components or software under the coordination of the System Integrator or Shipyard. The supplier is responsible for providing programmable devices, sub-systems or systems to the system integrator. The supplier provides a description of the software functionality that meets the Owner's specification, applicable international and national standards, and the requirements specified herein.

E22 (cont)

2.2 Objects

The following diagram (Figure 1) shows the hierarchy and relationships of a typical computer based system.

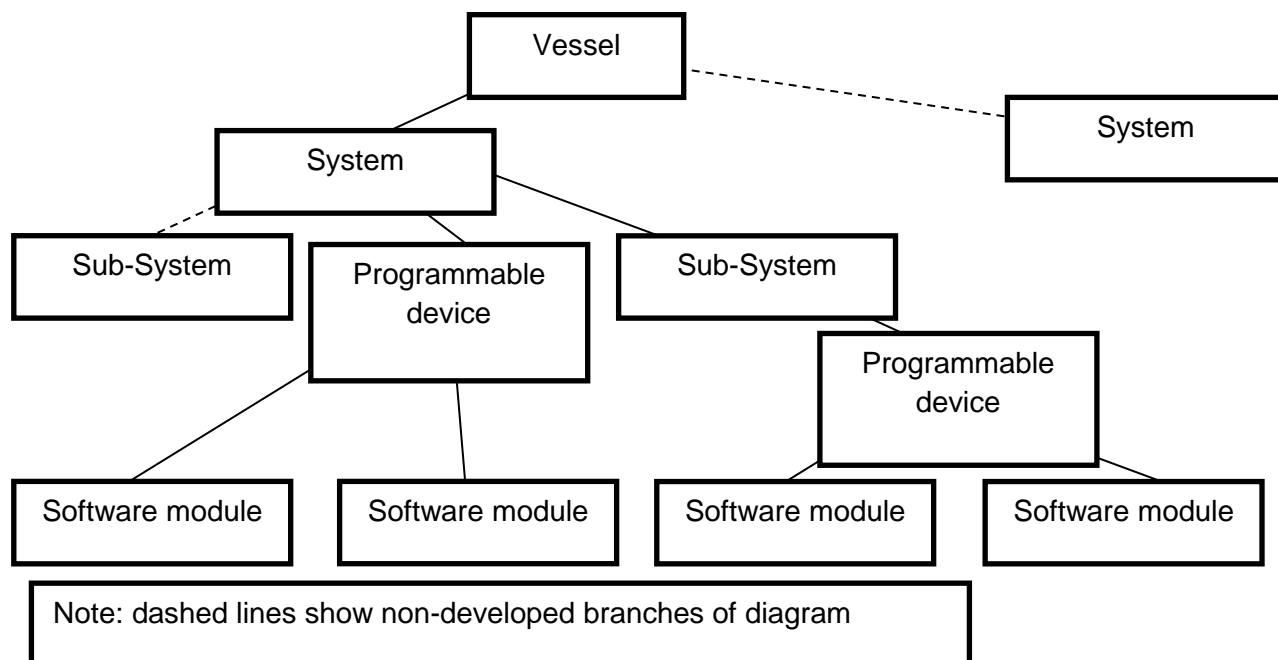


Figure 1 - Illustrative System Hierarchy

2.2.1 Object definitions

2.2.1.1 Vessel

Ship or offshore unit where the system is to be installed.

2.2.1.2 System

Combination of interacting programmable devices and/or sub-systems organized to achieve one or more specified purposes.

2.2.1.3 Sub-system

Identifiable part of a system, which may perform a specific function or set of functions.

2.2.1.4 Programmable device

Physical component where software is installed.

2.2.1.5 Software module

A module is a standalone piece of code that provides specific and closely coupled functionality.

E22 (cont)

2.3 System categories

The following table (Table 1) shows how to assign system categories based on their effects on system functionality.

Table 1 System categories

Category	Effects	Typical System functionality
I	Those systems, failure of which will not lead to dangerous situations for human safety, safety of the vessel and/or threat to the environment.	- Monitoring function for informational/ administrative tasks
II	Those systems, failure of which could eventually lead to dangerous situations for human safety, safety of the vessel and/or threat to the environment.	- Alarm and monitoring functions - Control functions which are necessary to maintain the ship in its normal operational and habitable conditions
III	Those systems, failure of which could immediately lead to dangerous situations for human safety, safety of the vessel and/or threat to the environment.	- Control functions for maintaining the vessel's propulsion and steering - Vessel safety functions

The following systems typically belong to Category III, the exact category being dependent on the risk assessment for all operational scenarios:

- Propulsion system of a ship, meaning the means to generate and control mechanical thrust in order to move the ship (devices used only during manoeuvring are not in the scope of this requirement such as bow tunnel thrusters)
- Steering system control system
- Electric power system (including power management system)
- Ship safety systems covering fire detection and fighting, flooding detection and fighting, internal communication systems involved in evacuation phases, ship systems involved in operation of life saving appliances equipment
- Dynamic positioning system of equipment classes 2 and 3 according to IMO MSC/Circ.645
- Drilling systems

The following systems typically belong to Category II, the exact category being dependent on the risk assessment for all operational scenarios:

- Liquid cargo transfer control system
- Bilge level detection and associated control of pumps

E22
(cont)

- Fuel oil treatment system
- Ballast transfer valve remote control system
- Stabilization and ride control systems
- Alarm and monitoring systems for propulsion systems

The example systems are not exhaustive.

2.4 Other terminology

2.4.1 Simulation tests

Control system testing where the equipment under control is partly or fully replaced with simulation tools, or where parts of the communication network and lines are replaced with simulation tools.

3. Requirements for software and supporting hardware

3.1 Life cycle approach

A global top to bottom approach shall be undertaken regarding software and the integration in a system, spanning the software lifecycle. This approach shall be accomplished according to software development standards as listed herein or other standards recognized by the Class Society.

3.1.1 Quality system

System integrators and suppliers shall operate a quality system regarding software development and testing and associated hardware such as ISO 9001 taking into account ISO 90003.

Satisfaction of this requirement shall be demonstrated by either:

- The quality system being certified as compliant to the recognized standard by an organisation with accreditation under a national accreditation scheme, or
- The Class Society confirming compliance to the standard through a specific assessment.

This quality system shall include:

3.1.1.1 Relevant procedures regarding responsibilities, system documentation, configuration management and competent staff.

3.1.1.2 Relevant procedures regarding software lifecycle and associated hardware:

- Organization set in place for acquisition of related hardware and software from suppliers
- Organization set in place for software code writing and verification
- Organization set in place for system validation before integration in the vessel

E22
(cont)

3.1.1.3 Minimum requirements for approval of Quality system:

- Having a specific procedure for verification of software code of Category II and III at the level of systems, sub-systems and programmable devices and modules
- Having check points for the Class Society for Category II and III systems (see Annex for the minimum check points¹)
- Having a specific procedure for software modification and installation on board the vessel defining interactions with owners

3.1.1.4 Quality Plan

A document, referred to herein as a Quality Plan, shall be produced that records how the quality management system will be applied for the specific computer based system and that includes, as a minimum, all of material required by paragraphs 3.1.1.1 to 3.1.1.3 inclusively.

3.1.2 Design phase

3.1.2.1 Risk assessment of system

This step shall be undertaken to determine the risk to the system throughout the lifecycle by identifying and evaluating the hazards associated with each function of the system. A risk assessment report shall upon request be submitted to the Class Society:

This document shall normally be submitted by the System Integrator or the Supplier, including data coming from other suppliers.

IEC/ISO31010 "Risk management - Risk assessment techniques" may be applied in order to determine method of risk assessment. The method of risk assessment shall be agreed by the society.

Based on the risk assessment, a revised system category might need to be agreed between Class and the system supplier.

Where the risks associated with a computer based system are well understood, it is permissible for the risk assessment to be omitted, however in such cases the supplier or the system integrator shall provide a justification for the omission. The justification should give consideration to:

- How the risks are known
- The equivalence of the context of use of the current computer based system and the computer based system initially used to determine the risks
- The adequacy of existing control measures in the current context of use

¹ Examples of check points can be a required submittal of documentation, a test event, a technical design review meeting, or peer review meeting.

E22
(cont)

3.1.2.2 Code production and testing

The following documentation shall be provided to the Class Society for Category II and III systems:

- Software modules functional description and associated hardware description for programmable devices. This shall be provided by Supplier and System Integrator.
- Evidence of verification (detection and correction of software errors) for software modules, in accordance with the selected software development standard. Evidence requirements of the selected software standard might differ depending on how critical the correct operation of the software is to the function it performs (i.e. IEC 61508 has different requirements depending on SILs, similar approaches are taken by other recognized standard). This shall be supplied by the Supplier and System Integrator.
- Evidence of functional tests for programmable devices at the software module, sub-system, and system level. This shall be supplied by the Supplier via the System Integrator. The functional testing shall be designed to test the provisions of features used by the software but provided by the operating system, function libraries, customized layer of software and any set of parameters.

3.1.3 Integration testing before installation on board

Intra-system integration testing shall be done between system and sub-system software modules before being integrated on board. The objective is to check that software functions are properly executed, that the software and the hardware it controls interact and function properly together and that software systems react properly in case of failures. Faults are to be simulated as realistically as possible to demonstrate appropriate system fault detection and system response. The results of any required failure analysis are to be observed. Functional and failure testing can be demonstrated by simulation tests.

For Category II and III systems:

- Test programs and procedures for functional tests and failure tests shall be submitted to the Class Society. A FMEA may be requested by the Class Society in order to support containment of failure tests programs.
- Factory acceptance test including functional and failure tests shall be witnessed by Class Society.

Following documentation shall be provided:

- (i) Functional description of software
- (ii) List and versions of software installed in system
- (iii) User manual including instructions for use during software maintenance
- (iv) List of interfaces between system and other ship systems
- (v) List of standards used for data links
- (vi) Additional documentation as requested by the Class Society which might include an FMEA or equivalent to demonstrate the adequacy of failure test case applied

3.1.4 Approval of programmable devices for Category II and III systems

Approval of programmable devices integrated inside a system shall be delivered to the system integrator or supplier. Approval can be granted on case by case basis, or as part of a product type approval, so long as above mentioned documents have been

E22
(cont)

reviewed/approved (as per annex) and the required tests have been witnessed by the Class Society (also see paragraph 4 regarding hardware environmental type tests). Documentation should address the compatibility of the programmable device in the ship's application, the necessity to have on board tests during ship integration and should identify the components of system using the approved programmable devices.

3.1.5 Final integration and on board testing

Simulation tests are to be undertaken before installation, when it is found necessary to check safe interaction with other computerized systems and functions that could not be tested previously.

On board tests shall check that a computer based system in its final environment, integrated with all other systems with which it interacts is:

- Performing functions it was designed for
- Reacting safely in case of failures originated internally or by devices external to the system
- Interacting safely with other systems implemented on board vessel

For final integration and on board testing of Category II and III systems:

- Test specifications shall be submitted to the Class Society for approval
- The tests shall be witnessed by the Class Society

3.2 Limited approval

Sub-systems and programmable devices may be approved for limited applications with service restrictions by the Class Society when the ship system where they will be integrated is not known. In this case, requirements about Quality systems under paragraph 3.1.1 might need to be fulfilled as required by the Class Society. Additional drawings, details, tests reports and surveys related to the Standard declared by the Supplier may be required by the Class Society upon request.

Sub-systems and programmable devices may in this case be granted with a limited approval mentioning the required checks and tests performed.

3.3 Modifications during operation

3.3.1 Responsibilities

Organizations in charge of software modifications shall be clearly declared by Owner to the Class Society. A System integrator shall be designated by the Owner and shall fulfil requirements mentioned in paragraph 3.1. Limited life cycle steps may be considered for modifications already considered and accepted in the scope of initial approval. The level of documentation needed to be provided for the modification shall be determined by the Class Society.

At the vessel level, it is the responsibility of Owner to manage traceability of these modifications; the achievement of this responsibility shall be supported by system integrators updating the Software Registry. This Software Registry shall contain:

E22
(cont)

- List and versions of software installed in systems required in paragraph 3.1.3
- Results of security scans as described in paragraph 3.4

3.3.2 Change management

The owner shall ensure that necessary procedures for software and hardware change management exist on board, and that any software modification/upgrade are performed according to the procedure. All changes to computer based systems in the operational phase shall be recorded and be traceable.

3.4 System security

Owner, system integrator and suppliers shall adopt security policies and include these in their quality systems and procedures.

For Category I, II, and III systems, physical and logical security measures shall be in place to prevent unauthorized or unintentional modification of software, whether undertaken at the physical system or remotely.

Prior to installation, all artefacts, software code, executables and the physical medium used for installation on the vessel are to be scanned for viruses and malicious software. Results of the scan are to be documented and kept with the Software Registry.

4. Requirements for hardware regarding environment

Evidence of environmental type testing according to UR E10 regarding hardware elements included in the system and sub-systems shall be submitted to the Class Society for Category I, II and III computer based systems. This requirement is not mandatory for Category I computer based systems not considered by Class.

5. Requirements for data links for Category II and III systems

5.1 General requirements

5.1.1 Loss of a data link shall be specifically addressed in risk assessment analysis.

5.1.2 A single failure in data link hardware shall be automatically treated in order to restore proper working of system. For Category III systems a single failure in data link hardware shall not influence the proper working of the system.

5.1.3 Characteristics of data link shall prevent overloading in any operational condition of system.

5.1.4 Data link shall be self-checking, detecting failures on the link itself and data communication failures on nodes connected to the link. Detected failures shall initiate an alarm.

5.2 Specific requirements for wireless data links

5.2.1 Category III systems shall not use wireless data links unless specifically considered by the Class Society on the basis of an engineering analysis carried out in accordance with an International or National Standard acceptable to the Society.

E22
(cont)

5.2.2 Other categories of systems may use wireless data links with following requirements:

5.2.2.1 Recognised international wireless communication system protocols shall be employed, incorporating:

- Message integrity. Fault prevention, detection, diagnosis, and correction so that the received message is not corrupted or altered when compared to the transmitted message.
- Configuration and device authentication. Shall only permit connection of devices that are included in the system design.
- Message encryption. Protection of the confidentiality and or criticality of the data content.
- Security management. Protection of network assets, prevention of unauthorized access to network assets.

5.2.2.2 The internal wireless system within the vessel shall comply with the radio frequency and power level requirements of International Telecommunication Union and flag state requirements.

Consideration should be given to system operation in the event of port state and local regulations that pertain to the use of radio-frequency transmission prohibiting the operation of a wireless data communication link due to frequency and power level restrictions.

5.2.2.3 For wireless data communication equipment, tests during harbour and sea trials are to be conducted to demonstrate that radio-frequency transmission does not cause failure of any equipment and does not self-fail as a result of electromagnetic interference during expected operating conditions.

E22

(cont)

Annex: Documents for Class Society and test attendance

Ⓐ Submitted (For Approval) ① Provided (For Information) ② Witness

¹ Additional documentation may be required upon request

² Upon request

³ If in the scope of Class requirement

Requirement	SUPPLIER INVOLVED	SYSTEM INTEGRATOR INVOLVED	OWNER INVOLVED	CATEGORY I ¹	CATEGORY II	CATEGORY III
Quality Plan	X	X		Ⓐ ²	Ⓐ	Ⓐ
Risk assessment report		X		① ²	① ²	① ²
Software modules functional description and associated hardware description	X (if necessary)	X			①	①
Evidence of verification of software code	X (if necessary)	X			①	①
Evidence of functional tests for elements included in systems of Category II and III at the level of software module, sub-system and system	X	X			①	①
Test programs and procedures for functional tests and failure tests including a supporting FMEA or equivalent, at the request of the Class Society		X			Ⓐ	Ⓐ
Factory acceptance test event including functional and failure tests	X	X			②	②
Test program for simulation tests for final integration		X			Ⓐ	Ⓐ
Simulation tests for final integration		X			②	②
Test program for on board tests (includes wireless network testing)		X			Ⓐ	Ⓐ
On board integration tests (includes wireless network testing)		X			②	②

E22

(cont)

Requirement	SUPPLIER INVOLVED	SYSTEM INTEGRATOR INVOLVED	OWNER INVOLVED	CATEGORY I'	CATEGORY II	CATEGORY III
- List and versions of software installed in system - Functional description of software - User manual including instructions during software maintenance - List of interfaces between system and other ship systems		X			Ⓛ	Ⓛ
Updated Software Registry		X	X		Ⓛ	Ⓛ
Procedures and documentation related to Security Policy					Ⓛ	Ⓛ
Test reports according to UR E10 requirements	X	X		Ⓐ ³	Ⓐ	Ⓐ

End of Document

E23

(Feb
2007)

Selection of low voltage circuit breakers on the basis of their short circuit capacity and co-ordination in service

Deleted Mar 2011

End of
Document

E24 Harmonic Distortion for Ship Electrical Distribution System including Harmonic Filters

(June 2016)
(Rev.1
Dec 2018)

1. Scope

The requirements of this UR apply to ships where harmonic filters are installed on main busbars of electrical distribution system, other than those installed for single application frequency drives such as pump motors.

2. General

The total harmonic distortion (THD) of electrical distribution systems is not to exceed 8%.

This limit may be exceeded where all installed equipment and systems have been designed for a higher specified limit and this relaxation on limits is documented (harmonic distortion calculation report) and made available on board as a reference for the surveyor at each periodical survey.

3. Monitoring of harmonic distortion levels for a ship including harmonic filters

3.1 The ships are to be fitted with facilities to continuously monitor the levels of harmonic distortion experienced on the main busbar as well as alerting the crew should the level of harmonic distortion exceed the acceptable limits. Where the engine room is provided with automation systems, this reading should be logged electronically, otherwise it is to be recorded in the engine log book for future inspection by the surveyor.

Note:

1. This UR, except for Section 3.2, is to be uniformly implemented by IACS Societies:
 - i. for ships contracted for construction on or after 1 July 2017 or
 - ii. for ships where an application for a periodical or occasional machinery survey after the retrofit of harmonic filters is dated on or after 1 July 2017.
2. Section 3.2 is to be uniformly implemented by IACS Societies for ships contracted for construction before 1 July 2017, at any scheduled Machinery periodical survey having a due date on or after 1 July 2017.
3. The “contracted for construction” date means the date on which the contract to build the vessel is signed between the prospective owner and the shipbuilder. For further details regarding the date of “contract for construction”, refer to IACS Procedural Requirement (PR) No.29.
4. UR E24 Rev.1, except for Section 3.2, is to be uniformly implemented by IACS Societies:
 - i. for ships contracted for construction on or after 1 January 2020 or
 - ii. for ships where an application for a periodical or occasional machinery survey after the retrofit of harmonic filters is dated on or after 1 January 2020.

E24
(cont)

3.2 As a minimum, harmonic distortion levels of main busbar on board such existing ships are to be measured annually under seagoing conditions as close to the periodical machinery survey as possible so as to give a clear representation of the condition of the entire plant to the surveyor. Harmonic distortion readings are to be carried out when the greatest amount of distortion is indicated by the measuring equipment. An entry showing which equipment was running and/or filters in service is to be recorded in the log so this can be replicated for the next periodical survey. Harmonic distortion levels are also to be measured following any modification to the ship's electrical distribution system or associated consumers by suitably trained ship's personnel or from a qualified outside source.

Records of all the above measurements are to be made available to the surveyor at each periodical survey.

4. Mitigation of the effects of harmonic filter failure on a ship's operation

Where the electrical distribution system on board a ship includes harmonic filters the system integrator of the distribution system is to show, by calculation, the effect of a failure of a harmonic filter on the level of harmonic distortion experienced.

The system integrator of the distribution system is to provide the ship owner with guidance documenting permitted modes of operation of the electrical distribution system while maintaining harmonic distortion levels within acceptable limits during normal operation as well as following the failure of any combination of harmonic filters.

The calculation results and validity of the guidance provided are to be verified by the surveyor during sea trials.

5. Protection arrangements for harmonic filters

Arrangements are to be provided to alert the crew in the event of activation of the protection of a harmonic filter circuit.

A harmonic filter should be arranged as a three phase unit with individual protection of each phase. The activation of the protection arrangement in a single phase shall result in automatic disconnection of the complete filter. Additionally, there shall be installed a current unbalance detection system independent of the overcurrent protection alerting the crew in case of current unbalance.

Consideration is to be given to additional protection for the individual capacitor element as e.g. relief valve or overpressure disconnecter in order to protect against damage from rupturing. This consideration should take into account the type of capacitors used.

End of Document

E25
(June
2016)

Failure detection and response of all types of steering control systems

1. Failure detection

1.1 The most probable failures that may cause reduced or erroneous system performance shall be automatically detected and at least the following failure scenarios shall be considered:

- (a) Power supply failure
- (b) Earth fault on AC and DC circuits
- (c) Loop failures in closed loop systems, both command and feedback loops (normally short circuit, broken connections and earth faults)
- (d) Data communication errors
- (e) Programmable system failures (Hardware and software failures)
- (f) Hydraulic locking
- (g) Deviation between rudder order and feedback*

* Deviation alarm shall be initiated if the rudder's actual position does not reach the set point within acceptable time limits for the closed loop control systems (e.g. follow-up control and autopilot). Deviation alarm may be caused by mechanical, hydraulic or electrical failures.

1.2 All failures detected shall initiate audible and individual visual alarm on the navigation bridge.

2. System response upon failure

2.1 The failures (as defined but not limited to those in 1.1) likely to cause uncontrolled movements of rudder are to be clearly identified. In the event of detection of such failure, the rudder should stop in the current position. Alternatively the rudder can be set to return to the midship/neutral position in the event of a failure. This is subject to the discretion of each Classification Society.

Note:

- 1. This UR is to be uniformly implemented by IACS Societies on ships contracted for construction (as defined in IACS PR29) on or after 1 July 2017.
- 2. The "contracted for construction" date means the date on which the contract to build the vessel is signed between the prospective owner and the shipbuilder. For further details regarding the date of "contract for construction", refer to IACS Procedural Requirement (PR) No. 29.

End of Document
